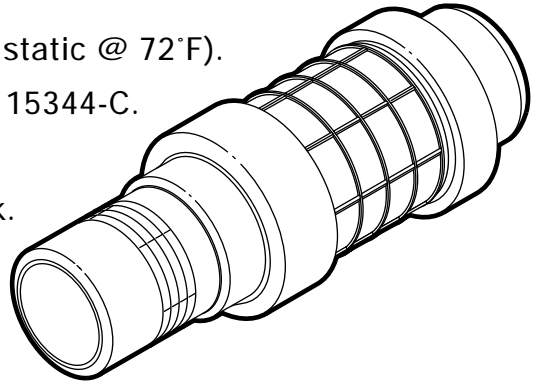


PVC Quik-Fix Telescopic Repair Coupling

Features:

- 150 psi working pressure (tested to 500 psi static @ 72°F).
- Made with Hi-Impact PVC Type II Cell Class 15344-C.
- NSF listed.
- One piece cylinder - no solvent weld to leak.
- Meets/Exceeds ASTM & ANSI standards.
- Molded in the **USA** by KBI.
- Internal high quality self-lubricating EPDM O'ring for long life and smooth movement.



Model	Inlet x Outlet	Size	Weight	L ₁	L ₂	Case	List
QF-0500	Socket x Spigot	1/2"	1.50	6.15	8.15	30	\$3.25
QF-0750	Socket x Spigot	3/4"	1.90	6.65	6.65	24	\$3.65
QF-1000	Socket x Spigot	1"	2.20	7.50	7.50	18	\$4.30
QF-1250	Socket x Spigot	1 1/4"	2.80	8.75	8.75	12	\$7.95
QF-1500	Socket x Spigot	1 1/2"	3.10	9.40	9.40	12	\$8.70
QF-2000	Socket x Spigot	2"	3.65	9.75	9.75	8	\$13.60
QF-2500	Socket x Spigot	2 1/2"	4.10	12.50	12.50	4	\$21.75
QF-3000	Socket x Spigot	3"	4.90	13.40	13.40	3	\$27.20
QF-4000	Socket x Spigot	4"	6.05	14.90	14.90	2	\$47.55
QF-6000	Socket x Spigot	6"	8.00	19.00	19.00	1	\$118.35

FEATURES COMMON TO KBI PVC PRODUCTS

- NSF listed *
- Molded in the USA by KBI
- Limited LIFETIME Warranty
- 150 psi working pressure (tested to 500 psi static @ 72°F)
- Meets/Exceeds ASTM Standards
- Made with Hi-Impact PVC Type II Cell Class 15344-C
- * See individual products for details